

Pilgrim's MORGRIP hydraulically installed bolt

The MORGRIP Bolt is a hydraulically actuated bolt, designed to provide a cost effective truly fitted bolt assembly. The Bolt eliminates the need for hammering conventional bolts into holes, which often causes scoring of both bolt and hole surfaces. The MORGRIP bolt can be repeatedly installed and removed quickly and without damage to either the Bolt or the hole. The principle on which the MORGRIP Bolt works is based upon Poissons Ratio whereby when a round bar of steel is stretched within its elastic limit, its diameter will reduce. The stretching force is applied to the Bolt by a hardened steel rod located down the centre hole in the Bolt. Operating Gear is screwed onto the head of the Bolt, and when pressurised it exerts a force through the rod to stretch the Bolt. The Operating Gear is pressurised using one of Pilgrim's MORPRESS pump packs. Once pressurised, the Bolt can be installed in the hole. A nut is attached (if a through hole application) and nipped tight. The pressure is then released to bring about a reduction in the length and corresponding increase in the diameter of the Bolt. The Bolt can be installed remotely from the Pump by using a stop valve fitted to the Operating Gear to lock in the hydraulic pressure. The Bolt is now ready to service. For removal, the above procedure is reversed.



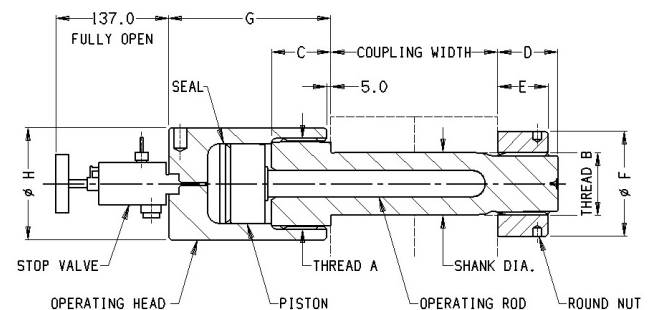
Typical Applications

- Ship Drive Shaft Couplings
- Steam Turbine Couplings
- Pitch Blade Propellers

Benefits

- Saves time
- Reduces cost
- Accurate and reliable
- Quick and efficient to install and remove
- Custom Design
- Safe

Pt No.	Shank Dia Ø	A	B	C	D	E	F	G	H
MGB043	43-48	M72x6	M42x4.5	60	49	34	75	151	87
MGB048	48-51	M80x6	M48x5	62	53	38	87	157	98
MGB051	51-56	M80x6	M52x5	62	57	42	92	157	98
MGB056	56-59	M90x6	M56x5.5	66	60	45	98	165	110
MGB059	59-64	M90x6	M60x5.5	66	63	48	104	165	110
MGB064	64-67	M100x6	M64x6	69	66	51	110	179	123
MGB067	67-72	M100x6	M68x6	69	69	54	116	179	123
MGB072	72-75	M110x6	M72x6	72	73	58	121	192	136
MGB075	75-80	M110x6	M76x6	72	76	61	127	192	136
MGB080	80-85	M125x6	M80x6	76	79	64	133	201	154
MGB085	85-90	M125x6	M85x6	76	83	68	139	201	154
MGB090	90-95	M140x6	M90x6	85	87	72	150	218	172
MGB095	95-100	M140x6	M95x6	85	91	76	156	218	172
MGB100	100-105	M150x6	M100x6	90	95	80	167	232	186
MGB105	105-110	M150x6	M105x6	90	99	84	173	232	186
MGB110	110-120	M160x6	M110x6	100	103	88	179	258	203
MGB120	120-125	M160x6	M120x6	100	111	96	196	258	203
MGB125	125-130	M190x6	M120x6	110	111	96	196	281	236
MGB130	130-140	M190x6	M130x6	110	119	104	214	281	236
MGB140	140-150	M210x6	M140x6	125	127	112	231	316	264
MGB150	150-160	M210x6	M150x6	125	135	120	243	316	264



Contact Us:
 Telephone: +44 161 785 7700
 e-mail: sales@pilgrim-international.co.uk